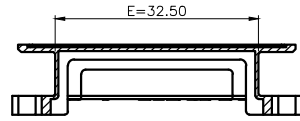
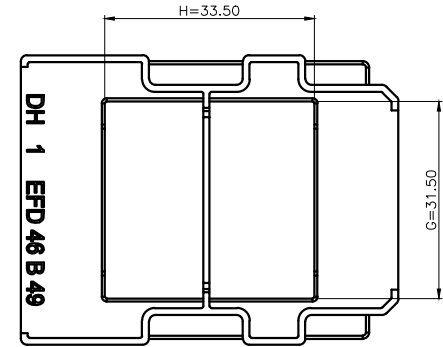
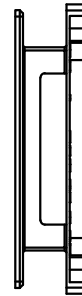
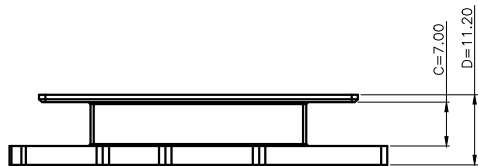
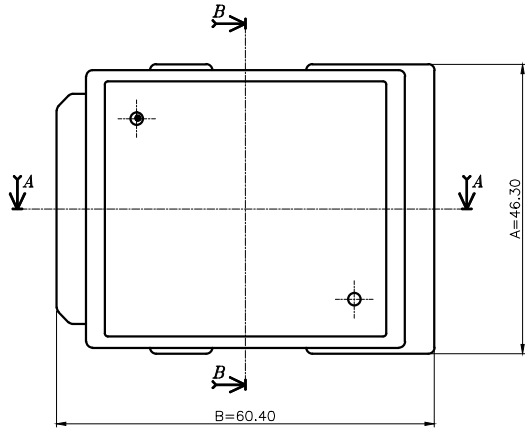
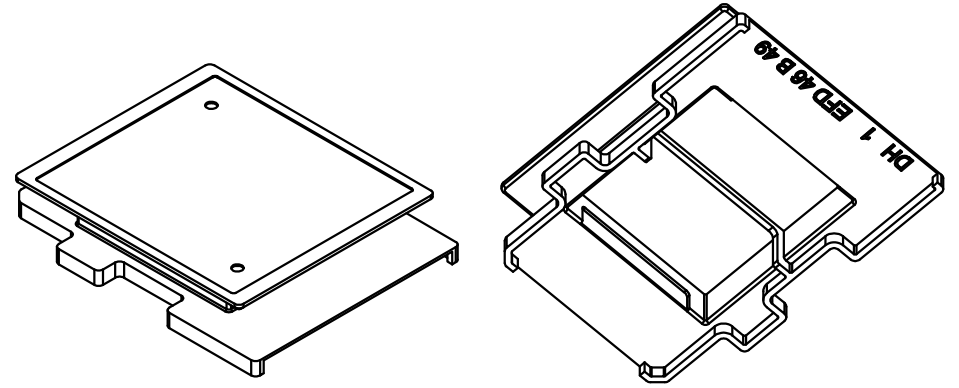


SECTION A-A



SECTION B-B



NOTE  
 게이프는 0.90mm 이하로 관리

MARK	REVISION NOTE			DATE	DRAWN	CHECKED	APPROVED
△							
△							
△							
△							
DRAWN	CHECKED	APPROVED	MATERIAL : PET	UL REC. : UL94V-0	THIRD ANGLE PROJ.	SCALE : 1/1	
B M, Won	D B, Han	J B, Lim	Z : PIN LENGTH (According to customer's request)	DATE : 2011.08.18	TOLERANCE : ±0.2 (Unless otherwise specified)	UNIT : m/m	
DAE HEUNG BOBBIN CO., LTD.			TITLE EFD 46B*49 "H" (14P) 2F CAP (C)	DWG NO DH-110926-8608-05			